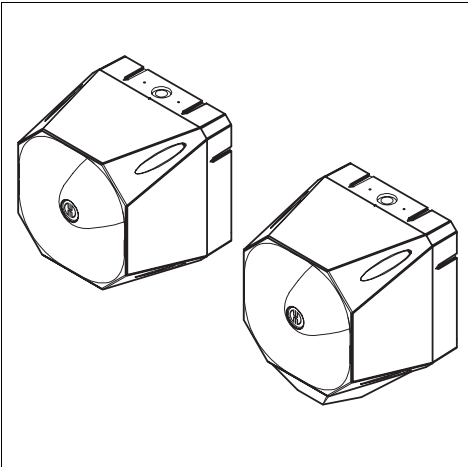
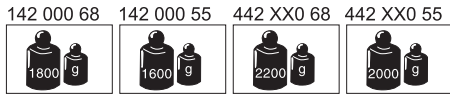
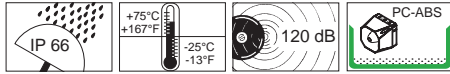


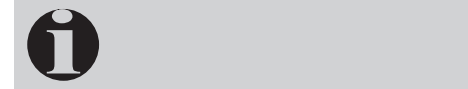
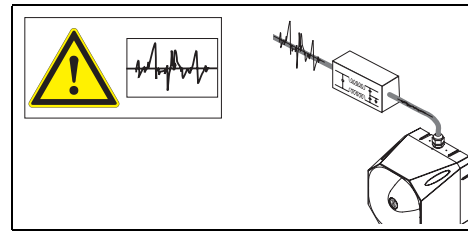
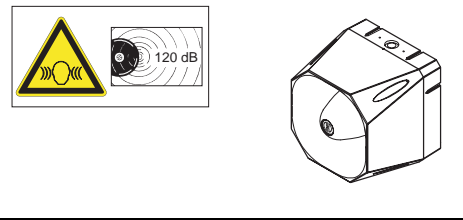
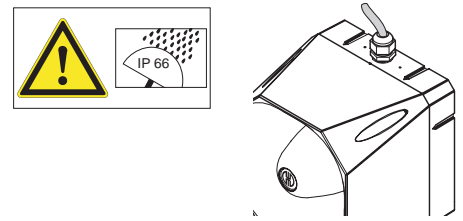
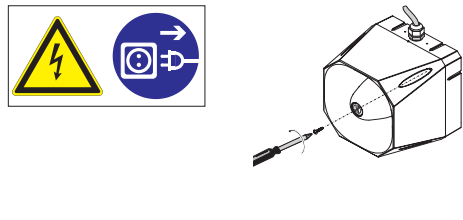
142, 442



EN 60950:2000



- Ⓓ Anschluss **ausschließlich** durch ausgebildete Elektro-Fachkräfte.
- ⒼⒷ Electrical connection is to be made by trained electrical specialists **only**.
- Ⓕ Le branchement doit **uniquement** être effectué par des professionnels.
- Ⓘ Il collegamento deve essere eseguito **solo** da elettricisti specializzati.
- Ⓔ La conexión **sólo** debe ser realizada por electricistas debidamente formados.
- Ⓗ A ligação deve ser feita **exclusivamente** por profissional eléctrico especializado.
- ⒸⒶ Připojení smí **provádět** pouze kvalifikovaný personál.
- ⒽⒶ Podłączenie **wyłącznie** przez specjalistów-elektryków.
- ⒻⒾ Liittäminen kuuluu **ainoastaan** koulutettujen sähköalan ammattilaisten tehtäviin.
- ⒽⒶⒺ Подключение проводится только специалистом-электриком.
- ⒽⒶⒽ Bağlantı **sadece** eğitimli elektrik teknisyenleri tarafından yapılmalıdır.
- ⒸⒶⒽ 布线需由专业电工执行



142 000 55	18-30 V=, max.450 mA
142 000 68	115/230 V~, 130 mA (115V), 65 mA (230V)
442 xx0 55	18-30 V=, 0,75 Hz / 1 Hz, 3,5 Ws
442 xx0 68	115/230 V~, 1,25 Hz / 2 Hz, 2 Ws
	130 mA (115V), 80 mA (230V)

Stromaufnahme, Current consumption, Consommation électrique, 442 xx0 55

Spannung und Blitzfrequenz Voltage and flash frequency Voltage et fréquence du flash	120/min	85/min	60/min	45/min
18V	389mA	328mA	339mA	211mA
19V	368mA	311mA	321mA	200mA
20V	350mA	295mA	305mA	190mA
21V	333mA	281mA	290mA	181mA
22V	318mA	268mA	277mA	173mA
23V	304mA	257mA	265mA	165mA
24V	292mA	246mA	254mA	158mA
25V	280mA	236mA	244mA	152mA
26V	269mA	227mA	235mA	146mA
27V	259mA	219mA	226mA	141mA
28V	250mA	211mA	218mA	136mA
29V	241mA	203mA	210mA	131mA
30V	233mA	197mA	203mA	127mA

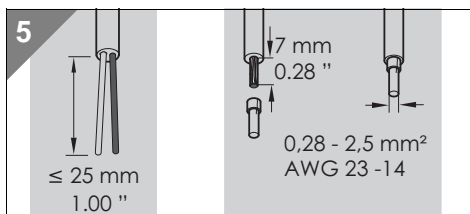
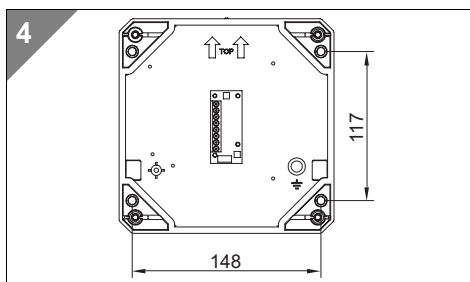
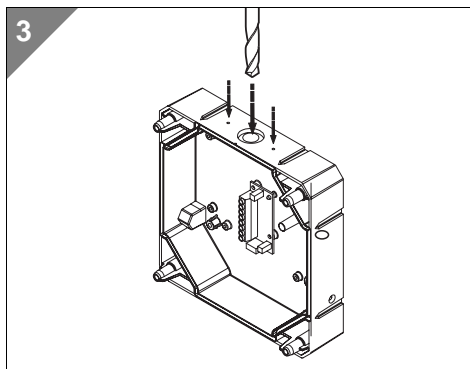


(vgl. Abb. 6,8 / see Fig. 6,8 / ref. III 6,8)

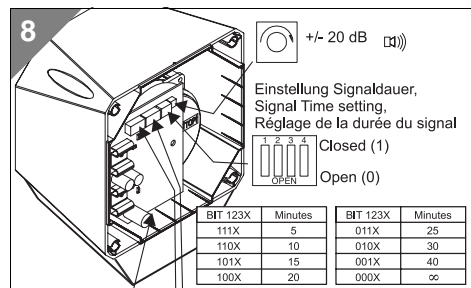
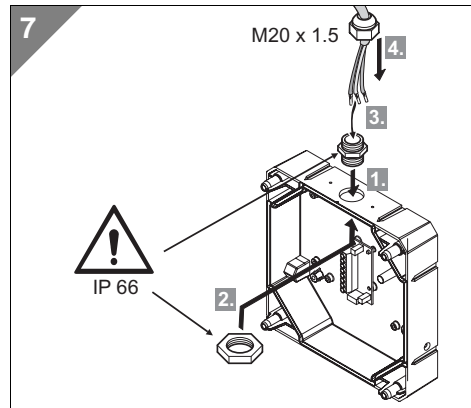
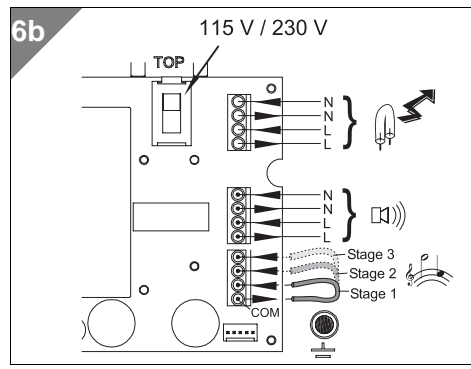
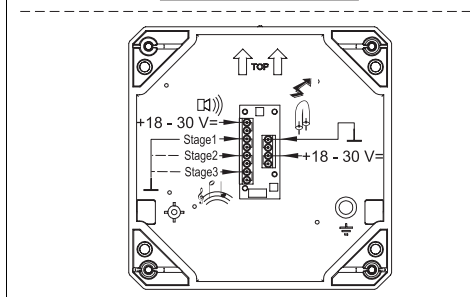
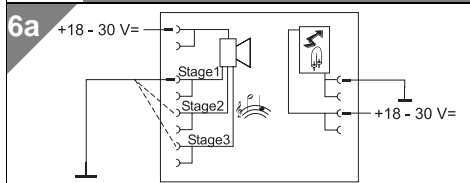
Stufe Stage Niveau	Code	Tonart Tone type Tonalité	Frequenz Description Fréquences Fré- quence	Beschreibung Description Description	Einsatz Use Utilisation	Stufe Stage Niveau
1+2	123456					3
A1	111111	alternierend, alternating, alternant	800 & 970	2Hz (250ms- 250ms)		A14
A2	111110	ansteigend, rising, montant	800 & 970	7Hz (7/s)		A14
A3	111101	ansteigend, rising, montant	800 & 970	1Hz (1/s)		A14
A4	111100	Dauerton, continuous, contin	2850			A9
A5	111011	ansteigend, rising, montant	2400 to 2850	7Hz		A4
A6	111010	ansteigend, rising, montant	2400 to 2850	1Hz		A4
A7	111001	ansteigend, rising, montant	500 to 1200	3s, then 0.5s OFF (then repeat)	Slow Whoop Hol- land	A14
A8	111000	abfallend, fal- ling, incliné	1200 to 500	1Hz	DIN/PFEER (PAPA)	A14

A9	110111	alternierend, alternating, alternant	2400 & 2850	2Hz (250ms- 250ms)		A4	
A10	110110	pulsierend, pulse, pulsant	970	0.5Hz (1s On/1s Off)	PFEER alert	A14	
A11	110101	alternierend, alternating, alternant	800 & 970	1Hz (500ms- 500ms)		A14	
A12	110100	pulsierend, pulse, pulsant	2850	0.5Hz (1s On/1s Off)		A4	
A13	110011	unterbrochen Intermittent	970	0.8Hz (250ms On/ 1s Off)		A14	
A14	110010	Dauerton, Continuous, Continu	970		PFEER - Toxic gas	A8	
A15	110001	alternierend, alternating, alternant	554 & 440	100ms-400ms	France NFS 32 S 32-001	A14	
A16	110000	pulsierend, pulse, pulsant	660	3.3Hz (150ms On/ 150ms Off)	Swedish (Air raid)	A14	
A17	101111	pulsierend, pulse, pulsant	660	0.28Hz (1.8s On/ 1.8s Off)	Swedish (Local warning)	A14	
A18	101110	pulsierend, pulse, pulsant	660	0.05Hz (6.5s On/ 13s Off)	Swedish (Pre-mess)	A14	
A19	101101	Dauerton, continuous, contin	660		Swedish (All clear)	A1	
A20	101100	alternierend, alternating, alternant	554 & 440	0.5Hz (1s On/1s Off)	Swedish (Turn out)	A19	
A21	101011	pulsierend, pulse, pulsant	660	1Hz (500ms- 500ms)	Swedish	A4	
A22	101010	pulsierend, pulse, pulsant	2850	4Hz (150ms On/ 100ms Off)		A4	
A23	101001	ansteigend, rising, montant	800 to 970	50Hz		A14	
A24	101000	ansteigend, rising, montant	2400 to 2850	50Hz		A4	
A25	100111	pulsierend, pulse, pulsant	970	3x500s Puls, 1.5s Pause, dann Wie- derholung, 3x500ms pulses followed by 1.5s silence then repeat Pulsation de 3x500ms puis 1,5s de pause et ensuite répétition	ISO 8201/ US Tempo- ral	A14	
A26	100110	pulsierend, pulse, pulsant	2850	3x500s Puls, 1.5s Pause, dann Wie- derholung 3x500ms pulses followed by 1.5s silence then repeat Pulsation de 3x500ms puis 1,5s de pause et ensuite répétition	ISO 8201/ US Tempo- ral	A4	
A27	100101	Dauerton, continuous, contin	4000			A6	
A28	100100	alternierend, alternating, alternant	800 & 970	2Hz (250ms- 250ms)		A14	
A29	100011	alternierend, alternating, alternant	990 & 650	2Hz (250ms- 250ms)(Sym- phoni tones)		A14	
A30	100010	alternierend, alternating, alternant	510 &610	2Hz (250ms- 250ms)		A14	
A31	100001	ansteigend, rising, montant	300 to 1200	1Hz		A14	
A32	100000	Dauerton, continuous, contin		Klingel, bell, carillon		A3	
A33	011111	Dauerton, continuous, contin		Klingel, bell, carillon	3x500s Puls, 1.5s Pause, Wiederho- lung 3x500ms pulses followed by 1.5s silence, repeat Pulsation de 3x500ms puis 1,5s de pause, répétition	Bell/US Temporal	A14

A34	011110	alternierend, alternating, alternant	1000 & 2000	1Hz (500ms- 500ms)	Singapore	A4
A35	011101	pulsierend, pulse, pulsant	420	0.625s	Australian alert	A14
A36	011100	ansteigend, rising, montant	500 to 1200	Sweep 3.75s follo- wed by 0.25s gap	Australian evac	A14
A37	011011	ansteigend, rising, montant	1400 to 1600	Sweep up 1s, sweep down 0.5s	NF C 48- 265	A14
A38	011010	ansteigend- abfallend, rising-falling, montant- incliné	500 to 1200	Sweep up & down over 3s	Siren	A14
A39	011001	pulsierend, pulse, pulsant	720	0.7s On, 0.3 Off	German ind alarm	A14
A40	011000	ansteigend, rising, montant	422 to 775	Sweep for 0.85s, 1s delay, repeat	NFPA Whoop	A14
A41	010111	Dauerton, continuous, continu	470		Horn (USA)	A3
A42	010110	Dauerton, continuous, continu	370		Air Horn (USA)	A3



6  
6a - x42 xx0 55  
6b - x42 xx0 68

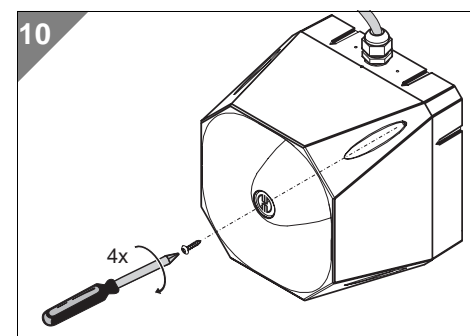
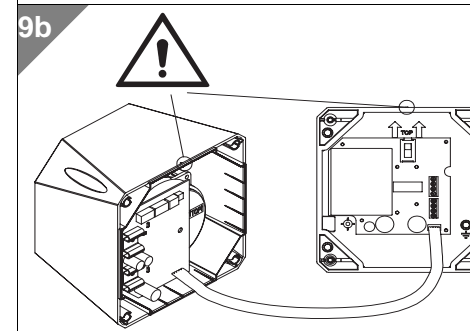
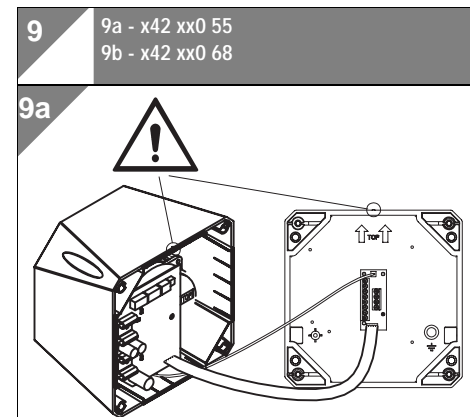


Einstellung Signaldauer,  
Signal Time setting,  
Réglage de la durée du signal

BIT 123X	Minutes	BIT 123X	Minutes
111X	5	011X	25
110X	10	010X	30
101X	15	001X	40
100X	20	000X	∞

Bit 4 muss auf Open (0) gesetzt sein  
Bit 4 must be set at Open (0)  
Le bit n° 4 doit être mis sur 0 (Open)

1	2	Blitzfrequenz Flash Rate Fréquence
open	open	45/min
closed	open	60/min
open	closed	85/min
closed	closed	120/min



1  
1a - 142  
1b - 442

