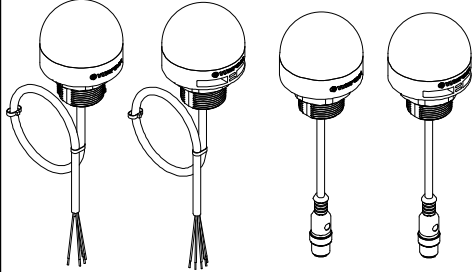


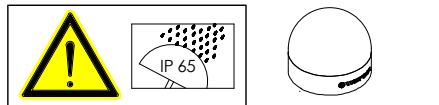
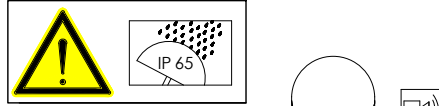
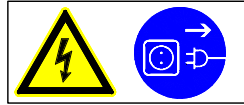
MC55



MC55-UL



- Ⓓ Anschluss ausschließlich durch ausgebildete Elektro-Fachkräfte.
- Ⓒ Electrical connection is to be made by trained electrical specialists only .
- Ⓕ Le branchement doit uniquement être effectué par des professionnels.
- Ⓛ Il collegamento deve essere eseguito solo da elettricisti specializzati.
- Ⓔ La conexión sólo debe ser realizada por electricistas debidamente formados.
- Ⓜ A ligação deve ser feita exclusivamente por profissional elétrico especializado.
- Ⓝ De aansluiting mag enkel gebeuren door erkende vakmensen.
- Ⓢ Připojení smí provádět pouze kvalifikovaný personál.
- Ⓟ Podłączenie wyłącznie przez specjalistów-elektryków.
- Ⓔ Liittäminen kuuluu ainoastaan koulutettujen sähköalan ammattilaisten tehtäviin.
- Ⓢ Подключёние проводов только специалистом-электриком.
- Ⓔ Bağlantı sadece eğitimli elektrik teknisyenleri tarafından yapılmalıdır.
- Ⓔ 布线需由专业电工执行

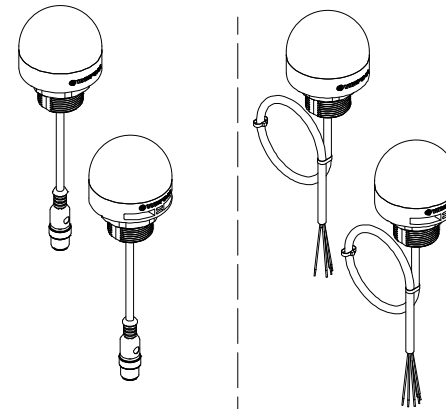


240 320 50 The power-source has to be
240 340 50 an isolated secondary source
240 420 55 limited by maximum 0.5A and
240 440 55 maximum 32 VDC



LED Permanent/ Blinking RGB	240 110 50	10-30V=	I ≤ 60 mA I ₀ < 700 mA
LED Permanent RGB	240 120 50 240 320 50	10-30V=	
LED Permanent/ Blinking RGB	240 130 50	10-30V=	
LED Permanent RGB	240 140 50 240 340 50	10-30V=	
LED Permanent RGY	240 210 55 240 220 55 240 420 55	24V=	I ≤ 45 mA I ₀ < 150 mA
LED Permanent RGY	240 230 55 240 240 55 240 440 55	24V=	

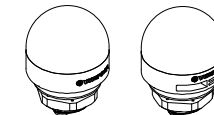
240 120 50, 240 140 50 240 110 50, 240 130 50
240 220 55, 240 240 55 240 210 55, 240 230 55



Cable length:
10cm/3.94"

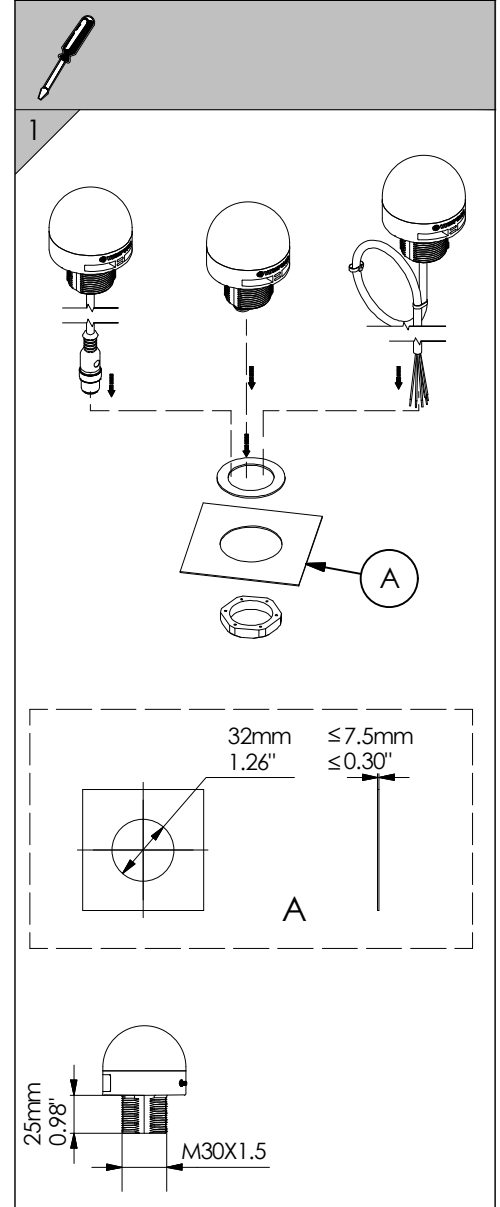
Cable length:
145cm/57.09"

240 320 50, 240 340 50
240 420 55, 240 440 55

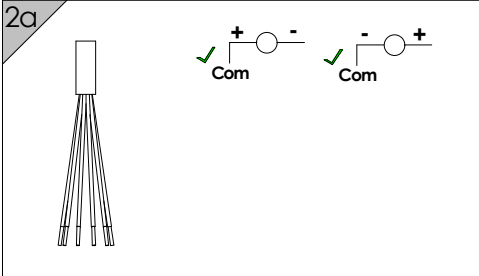


M12 Connector

Model number	Limited voltage	Limited current
240 320 50	10-30VDC	120mA
240 340 50	10-30VDC	130mA
240 420 55	24VDC	40mA
240 440 55	24VDC	65mA

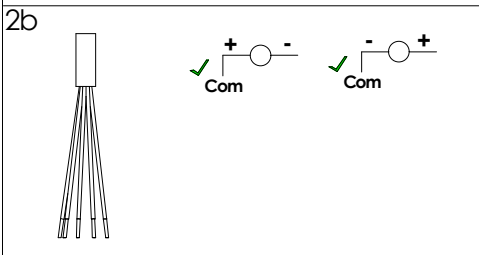


2
 2a - 240 110 50, 240 130 50
 2b - 240 210 55, 240 230 55
 2c - 240 120 50, 240 140 50
 240 320 50, 240 340 50
 2d - 240 220 55, 240 240 55
 240 420 55, 240 440 55



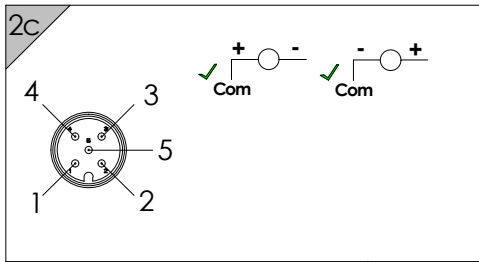
Wire						Colour
WH COM	RD	GN	BU	YE	GY*	
(±)	(±)V	NC	NC	-> Bling- king	(±)V *	RD
	NC	(±)V	NC			GN
	(±)V	(±)V	NC			YE
	NC	NC	(±)V			BU
	(±)V	(±)V	(±)V			WH
	(±)V	NC	(±)V			VT
NC	(±)V	(±)V	TQ			

* 240 130 50
 NC = not connected



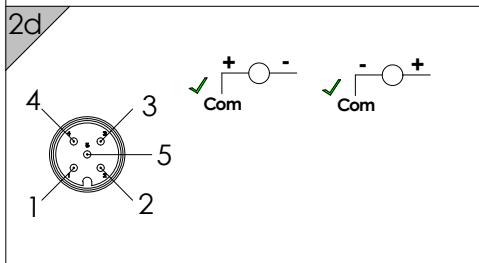
Wire					Colour
WH Com	RD	GN	YE	GY*	
(±)	(±)V	NC	NC	(±)V *	RD
	NC	(±)V	NC		GN
	NC	NC	(±)V		YE

* 240 230 55
 NC = not connected



Pin					Colour
1	2	3 COM	4	5*	
NC	NC	(±)	(±)V	(±)V *	RD
(±)V	NC		NC		GN
(±)V	NC		(±)V		YE
NC	(±)V		NC		BU
(±)V	(±)V		(±)V		WH
NC	(±)V		(±)V		VT
(±)V	(±)V	NC	TQ		

* 240 140 50
 NC = not connected



Pin					Colour
1	2	3 Com	4	5	
NC	NC	(±)	(±)V	(±)V *	RD
(±)V	NC		NC		GN
NC	(±)V		NC		YE

* 240 240 55
 NC = not connected