

'IS' range: Zone 0, 1, 2, 21 & 22 signals



IS-CP4A/B-BG

Zone 0, 1, 2, 21, 22 Break Glass Call Point

The IS-CP4A-BG and IS-CP4B-BG break glass manual call points are approved for Zones 0, 1, 2, 21 & 22 requiring intrinsically safe equipment for the control of fire and gas alarm systems. Available with and without monitoring resistors all versions are certified to ATEX and IECEx standards.

The IS-CP4 range features enclosures manufactured from corrosion proof, marine grade, copper free LM6 (A413) aluminium which is phosphated and powder coated.

Features:

- IS-CP4A-BG: II 1G Ex ia IIC T6 Ga
II 2D Ex t IIIC T60°C Db
IP66
- IS-CP4B-BG: II 1G Ex ia IIC T4 Ga
II 2D Ex t IIIC T75°C Db
IP66
- Ambient: Ta = -40°C to +55°C
- Environmental Protection: IP66
- The equipment is certified against the following standards:

EN 60079-0:2006/IEC 60079-0:2004
EN 60079-11:2007/IEC 60079-11:2007

EN 61241-0:2006/IEC 61241-0:2004
EN 61241-1:2004/IEC 61241-1:2004

- ATEX certificate number: Sira 09ATEX2287X
- IECEx certificate number: IECEx SIR 09.0122X



Specification:

Standard:

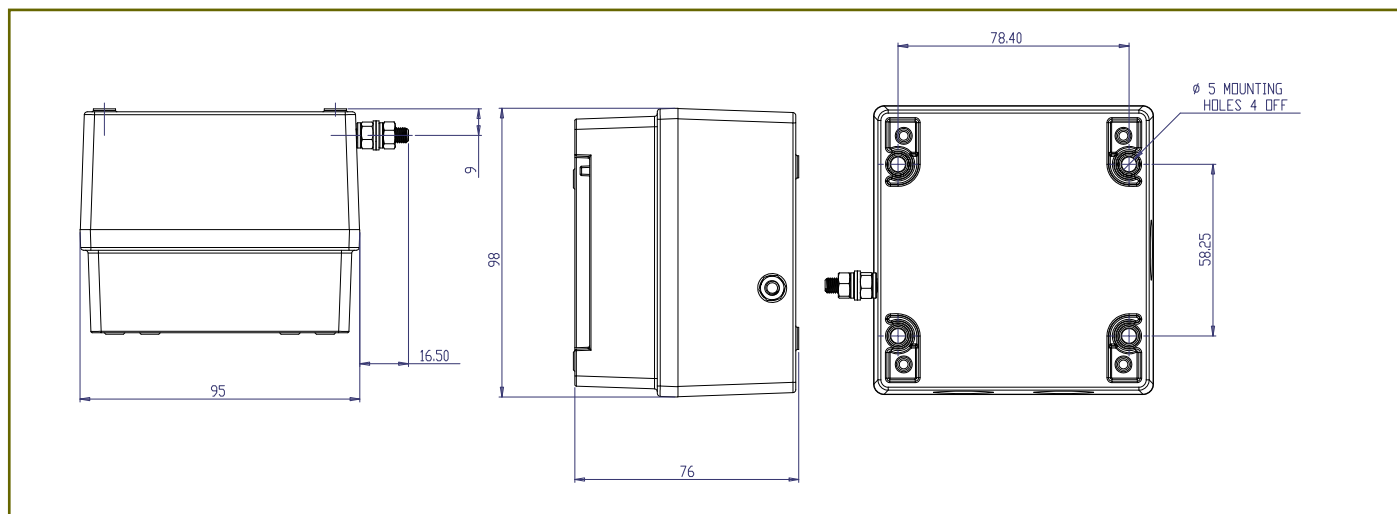
- 6 x 4mm² terminals.
- Internal and external earth continuity points.
- Cable entries:
2 x M20 clearance top and 1 x M20 clearance side.
Back box can be rotated to give 2 x bottom and 1 x side entries.
- Supplied with test/reset key

Options:

- Alternative housing colours are available to meet specific requirements.
- DIN rail mounted terminal blocks: 8 x 2.5mm²
- Stainless Steel lift flap
- Metalised Polyester "Duty" label.
- Series and/or End of Line resistors.

'IS' range: Zone 0, 1, 2, 21 & 22 signals

IS-CP4A/B-BG



All dimensions in mm

Versions:

Version:	Category:	Voltage:	Switch rating:	Monitoring Resistors:	Terminals:	Cable entries:	Weight:
IS-CP4A-BG	II 1G Ex ia IIC T6 Ga II 2D Ex t IIIC T60°C Db IP66 Ta = -40°C to +55°C	250V ac Max. 50V dc Max.	5.0A Max. 1.0A Max.	N	6 x 4mm ²	2 x M20 Top/Bottom 1 x M20 Left/Right	0.8Kg
IS-CP4B-BG	II 1G Ex ia IIC T4 Ga II 2D Ex t IIIC T75°C Db IP66 Ta = -40°C to +55°C	56V dc Max.	Nominal Voltage: 48V 24V 12V 6V	Maximum Voltage: 56V 28V 15V 9V	Min. EOL / Series Value: 1K8 470R 120R 47R	Y 6 x 4mm ² or 8 x 2.5mm ² DIN rail 2 x M20 Top/Bottom 1 x M20 Left/Right	0.8Kg

Part codes:

Type:	Terminals:	Lift Flap:	Duty Label:	Colour:	Nominal Voltage:	E.O.L Resistor:	Series Resistor:
IS-CP4A-BG IS-CP4B-BG	- ST DR	- LF NF	- NL DL	- RD	48V 24V 12V 6V	- ExxxR	- SxxxR

ST: Standard
DR: DIN rail
Only available on IS-CP4B version

LF: Lift Flap
NF: No Flap (Standard)

NL: No label (std)
DL: Duty Label
Specify content when ordering.

RD: Red (std)
Contact sales for other colour options

System Voltage
Only required on IS-CP4B version

xxx: Res. value
e.g.: E470R
Only available on IS-CP4B version

xxx: Res. value
e.g.: S2K2R
Only available on IS-CP4B version

e.g. IS-CP4A-BG-ST-LF-NL-RD
e.g. IS-CP4B-BG-DR-NF-NL-RD-24V-E470R

: IS-CP4A Break glass call point with standard terminals, lift flap and no duty label. Red housing
: IS-CP4B Break glass call point with DIN rail terminals, no lift flap, no duty label, 24V supply voltage with a 470 Ohm end of line resistor. Red housing.