

'IS' range: Zone 0, 1, 2, 21 & 22 signals



IS-CP4A/B-PB

Zone 0, 1, 2, 21, 22 Push Button Call Point

The IS-CP4A-PB and IS-CP4B-PB push button manual call points are approved for Zones 0, 1, 2, 21 & 22 requiring intrinsically safe equipment for the control of fire and gas alarm systems. Available with and without monitoring resistors all versions are certified to ATEX and IECEx standards.

The push button mechanism is protected by a spring loaded cover therefore the switch requires a two-action activation. The product is user resettable by rotating the push button.

The IS-CP4 range features enclosures manufactured from corrosion proof, marine grade, copper free LM6 (A413) aluminium which is phosphated and powder coated.

Features:

- IS-CP4A-PB: II 1G Ex ia IIC T6 Ga
II 2D Ex t IIIC T60°C Db
IP66
- IS-CP4B-PB: II 1G Ex ia IIC T4 Ga
II 2D Ex t IIIC T75°C Db
IP66
- Ambient: Ta = -40°C to +55°C
- Environmental Protection: IP66
- The equipment is certified against the following standards:

EN 60079-0:2006/IEC 60079-0:2004
EN 60079-11:2007/IEC 60079-11:2007

EN 61241-0:2006/IEC 61241-0:2004
EN 61241-1:2004/IEC 61241-1:2004
- ATEX certificate number: Sira 09ATEX2287X
- IECEx certificate number: IECEx SIR 09.0122X

- T: +44(0)2087438880
- @: sales@e2s.com
- F: +44(0)2087404200
- W: www.e2s.com



Specification:

Standard:

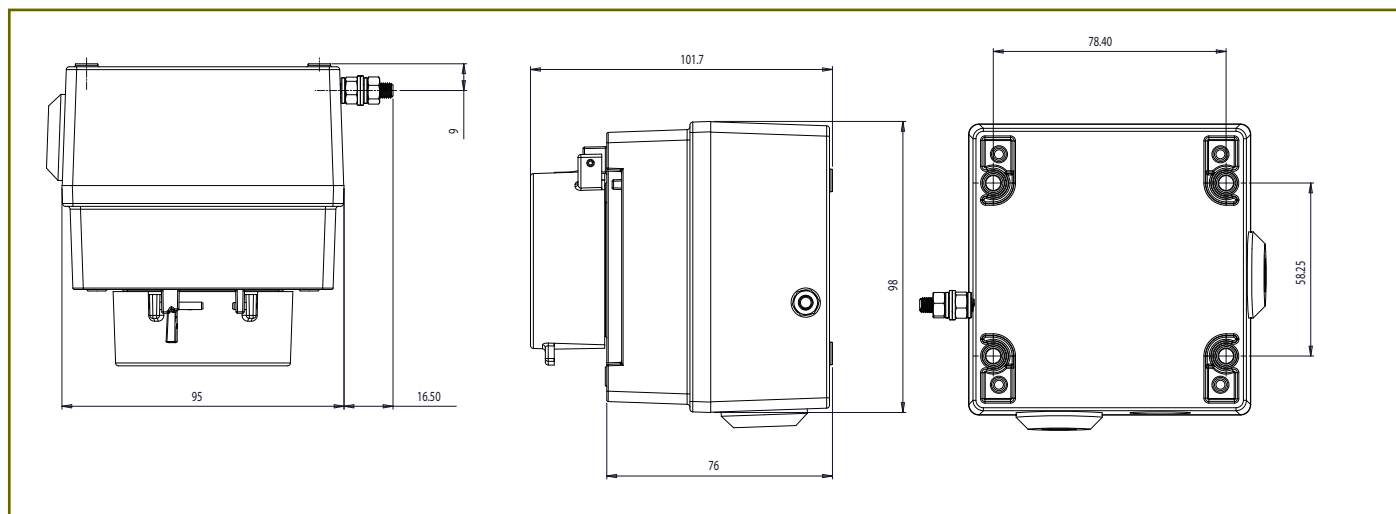
- 6 x 4mm² terminals.
- Internal and external earth continuity points.
- Cable entries:
2 x M20 clearance top and 1 x M20 clearance side.
Back box can be rotated to give 2 x bottom and 1 x side entries.
- Supplied with test/reset key

Options:

- Alternative housing colours are available to meet specific requirements.
- DIN rail mounted terminal blocks: 8 x 2.5mm²
- Metalised Polyester "Duty" label.
- Series and/or End of Line resistors.

'IS' range: Zone 0, 1, 2, 21 & 22 signals

IS-CP4A/B-PB



All dimensions in mm

Versions:

Version:	Category:	Voltage:	Switch rating:	Monitoring Resistors:	Terminals:	Cable entries:	Weight:		
IS-CP4A-PB	II 1G Ex ia IIC T6 Ga II 2D Ex t IIIC T60°C Db IP66 Ta = -40°C to +55°C	250V ac Max.	5.0A Max.	N	6 x 4mm ²	2 x M20 Top/Bottom 1 x M20 Left/Right	0.8Kg		
		50V dc Max.	1.0A Max.						
IS-CP4B-PB	II 1G Ex ia IIC T4 Ga II 2D Ex t IIIC T75°C Db IP66 Ta = -40°C to +55°C	56V dc Max.	Nominal Voltage:	Maximum Voltage:	Y	6 x 4mm ² or 8 x 2.5mm ² DIN rail	2 x M20 Top/Bottom 1 x M20 Left/Right	0.8Kg	
			48V	56V					Min. EOL / Series Value:
			24V	28V					1K8
			12V	15V					470R
			6V	9V					120R
			47R						

Part codes:

Type:	Terminals:	Duty Label:	Colour:	Nominal Voltage:	E.O.L Resistor:	Series Resistor:
IS-CP4A-PB	- ST	- NL	- RD	48V	- ExxxR	- SxxxR
IS-CP4B-PB	- DR	- DL		24V		
				12V		
				6V		

ST: Standard
DR: DIN rail
Only available on IS-CP4B version

NL: No label (std)
DL: Duty Label
Specify content when ordering.

RD: Red (std)
Contact sales for other colour options

System Voltage
Only required on IS-CP4B version

xxx: Res. value
e.g.: E470R
Only available on IS-CP4B version

xxx: Res. value
e.g.: S2K2R
Only available on IS-CP4B version

e.g. IS-CP4A-PB-ST-NL-RD
e.g. IS-CP4B-PB-DR-NL-RD-24V-E470R

: IS-CP4A Push button call point with standard terminals and no duty label. Red housing
: IS-CP4B Push button call point with DIN rail terminals, no duty label, 24V supply voltage with a 470 Ohm end of line resistor. Red housing.