

'IS' range:
Zone 0, 1, 2, 21 & 22 signals



IS-CP4A/B-PT

Zone 0, 1, 2, 21, 22 Tool Reset Call Point

The IS-CP4A-PB and IS-CP4B-PB push button, tool resettable, manual call points are approved for Zones 0, 1, 2, 21 & 22 requiring intrinsically safe equipment for the control of fire and gas alarm systems. Available with and without monitoring resistors all versions are certified to ATEX and IECEx standards.

The push button mechanism is protected by a spring loaded cover therefore the switch requires a two-action activation. The push button is user resettable via the use of the special key supplied with the unit.

The IS-CP4 range features enclosures manufactured from corrosion proof, marine grade, copper free LM6 (A413) aluminium which is phosphated and powder coated.

Features:

- IS-CP4A-PT: II 1G Ex ia IIC T6 Ga
II 2D Ex t IIIC T60°C Db
IP66
- IS-CP4B-PT: II 1G Ex ia IIC T4 Ga
II 2D Ex t IIIC T75°C Db
IP66
- Ambient: Ta = -40°C to +55°C
- Environmental Protection: IP66
- The equipment is certified against the following standards:

EN 60079-0:2006/IEC 60079-0:2004
EN 60079-11:2007/IEC 60079-11:2007

EN 61241-0:2006/IEC 61241-0:2004
EN 61241-1:2004/IEC 61241-1:2004
- ATEX certificate number: Sira 09ATEX2287X
- IECEx certificate number: IECEx SIR 09.0122X

• T: +44(0)2087438880 • @: sales@e2s.com
• F: +44(0)2087404200 • W: www.e2s.com



Specification:

Standard:

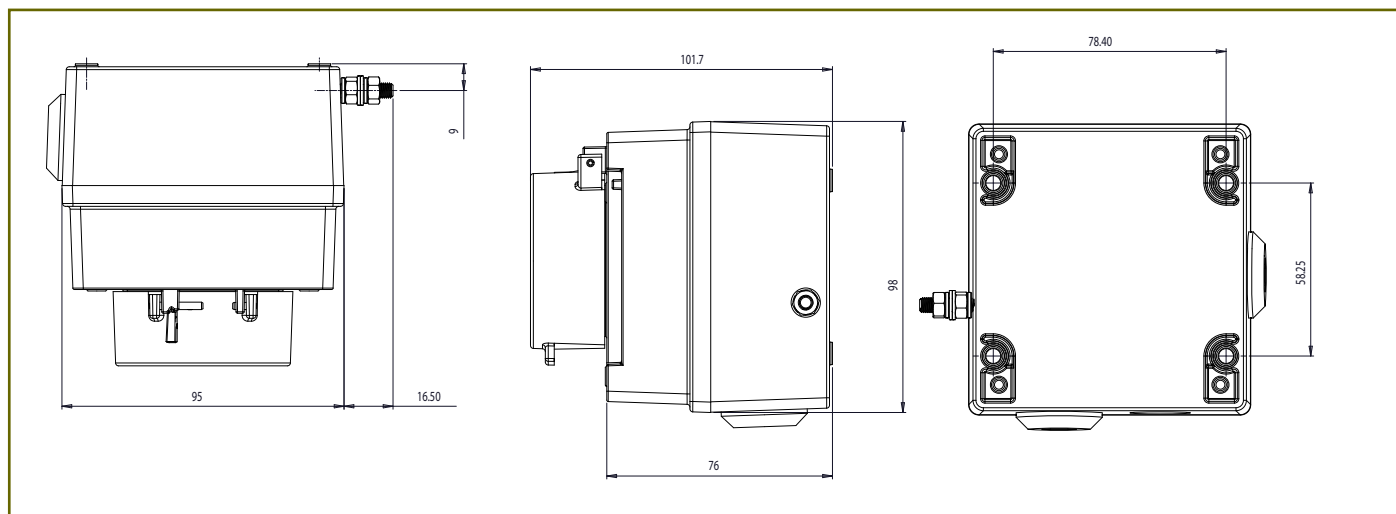
- 6 x 4mm² terminals.
- Internal and external earth continuity points.
- Cable entries:
2 x M20 clearance top and 1 x M20 clearance side.
Back box can be rotated to give 2 x bottom and 1 x side entries.
- Supplied with test/reset key

Options:

- Alternative housing colours are available to meet specific requirements.
- DIN rail mounted terminal blocks: 8 x 2.5mm²
- Metalised Polyester "Duty" label.
- Series and/or End of Line resistors.

'IS' range: Zone 0, 1, 2, 21 & 22 signals

IS-CP4A/B-PT



All dimensions in mm

Part codes:

Version:	Category:	Voltage:	Switch rating:	Monitoring Resistors:	Terminals:	Cable entries:	Weight:
IS-CP4A-PT	II 1G Ex ia IIC T6 Ga II 2D Ex t III C T60°C Db IP66 Ta = -40°C to +55°C	250V ac Max. 50V dc Max.	5.0A Max. 1.0A Max.	N	6 x 4mm ²	2 x M20 Top/Bottom 1 x M20 Left/Right	0.8Kg
IS-CP4B-PT	II 1G Ex ia IIC T4 Ga II 2D Ex t III C T75°C Db IP66 Ta = -40°C to +55°C	56V dc Max.	Nominal Voltage: 48V 24V 12V 6V	Maximum Voltage: 56V 28V 15V 9V	Min. EOL / Series Value: 1K8 470R 120R 47R	Y 6 x 4mm ² or 8 x 2.5mm ² DIN rail	2 x M20 Top/Bottom 1 x M20 Left/Right 0.8Kg

Part codes:

Type:	Terminals:	Duty Label:	Colour:	Nominal Voltage:	E.O.L Resistor:	Series Resistor:
IS-CP4A-PT IS-CP4B-PT	- ST DR	- NL DL	- RD	48V 24V 12V 6V	- ExxxR	- SxxxR

ST: Standard
DR: DIN rail

NL: No label (std)
DL: Duty Label
Specify content when ordering.

RD: Red (std)
Contact sales for other colour options

System Voltage
Only required on IS-CP4B version

xxx: Res. value
e.g.: E470R
Only available on IS-CP4B version

xxx: Res. value
e.g.: S2K2R
Only available on IS-CP4B version

e.g. IS-CP4A-PT-ST-NL-RD
e.g. IS-CP4B-PT-DR-NL-RD-24V-E470R

: IS-CP4A Tool reset call point with standard terminals and no duty label. Red housing
: IS-CP4B Tool reset call point with DIN rail terminals, no duty label, 24V supply voltage with a 470 Ohm end of line resistor. Red housing.