

1

L101H ALERTALIGHT

High Powered LED Array Beacon
 24 x High Powered LEDs
 Two modes : Steady , Flashing 2 Hz
 IP Rating: IP66
 Temp: -25°C to +50°C
 Unit weight: 200g
 CE

Order code Voltage
 L101HDC024[z][x]/[y] 10-30 VDC
 LED Colour Red, Amber

L101HDC024[z][x]/[y] 12-30VDC
 LED Colour Blue, White, Green

L101HAC230[z][x]/[y] 90-260 VAC
 43-60 VDC

Dimensions : 86.0 x 86.0mm
 1.5mm² terminals
 Cable entry: M20 cable entry (IP66)
 Dependant on Back Box selected

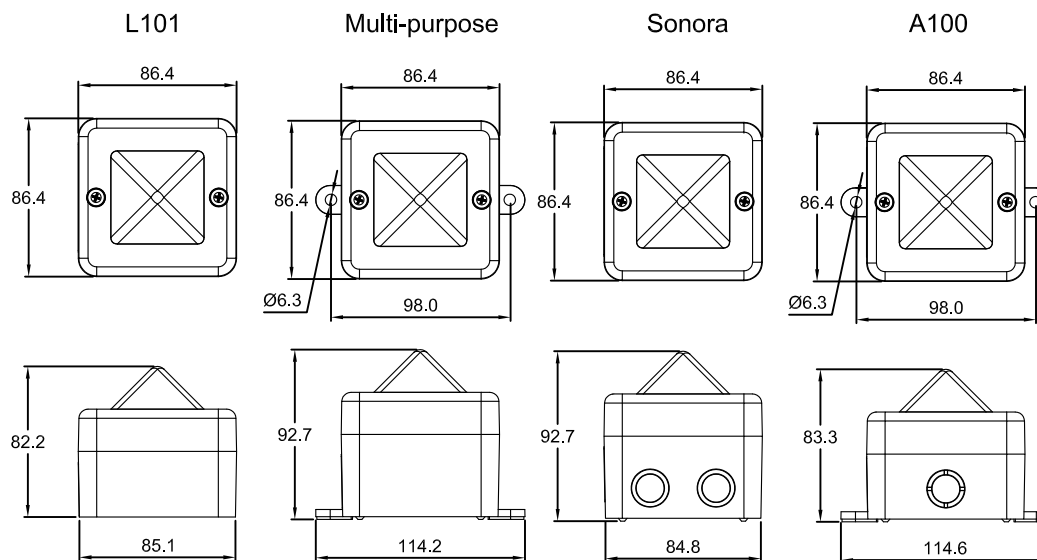
[z] = Back Box Type
 B = L101 type M = Multi-purpose type
 A = A100 type S = Sonora type

[y] = LED colour
 R = Red A = Amber
 B = Blue W = White
 G = Green

[x] = Housing colour
 G = Grey R = Red W = White

3

Back Box Type



2



ATTENTION: Installation must be carried out by an electrician in compliance with the latest codes and regulations.



ATTENTION: Disconnect from power source before installation or service to prevent electric shock.



ATTENTION: Lens on unit will be hot allow to cool prior to removal.


Fernando
 s.a
Carrasco
 www.fcarrasco.es

Serrano, 31-44

08031 BARCELONA (Spain)

Comercial: Tel. (+34) 93 243 19 80 - Fax: (+34) 93 243 19 82

Administración: Tel. (+34) 93 243 19 81

e-mail: fcarrasco@fcarrasco.es

web: http://www.fcarrasco.es

A ALERTALARM L101H

