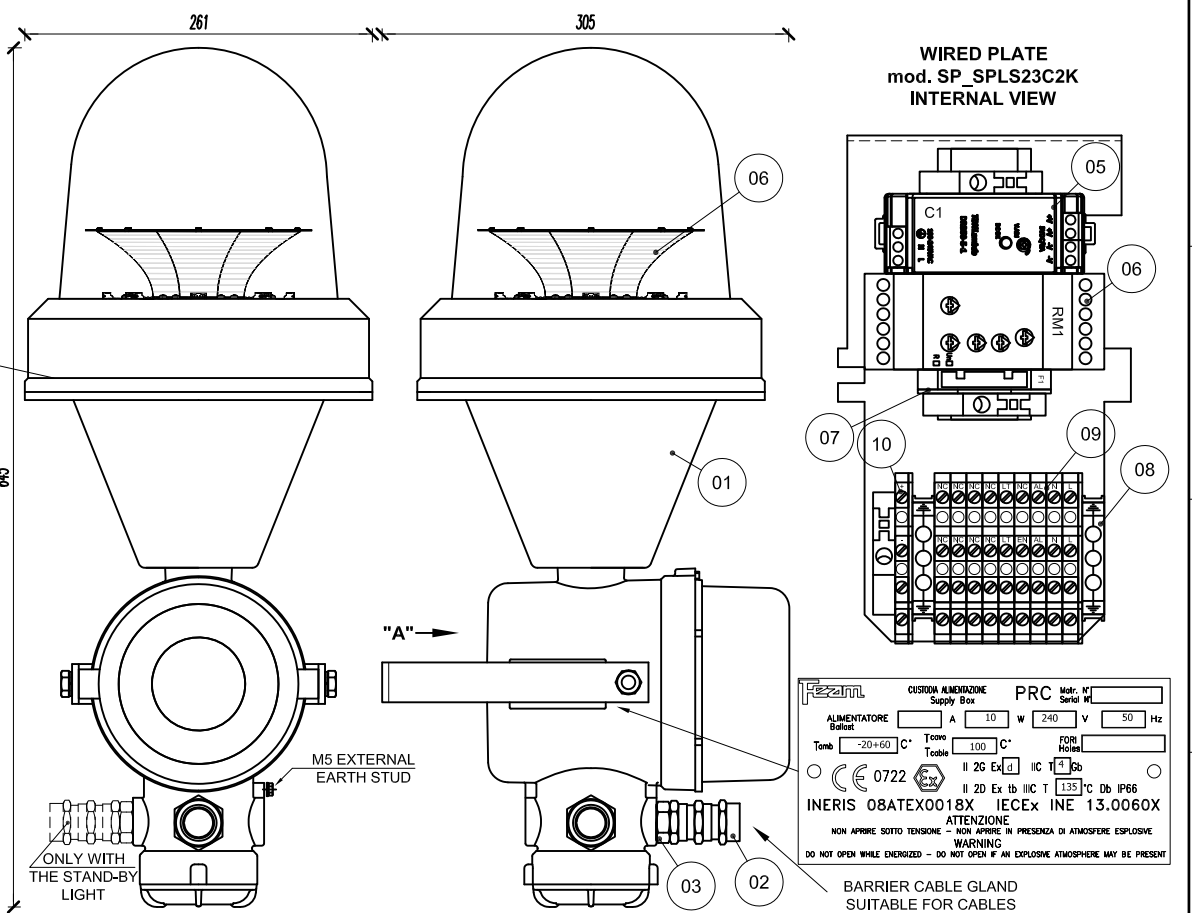
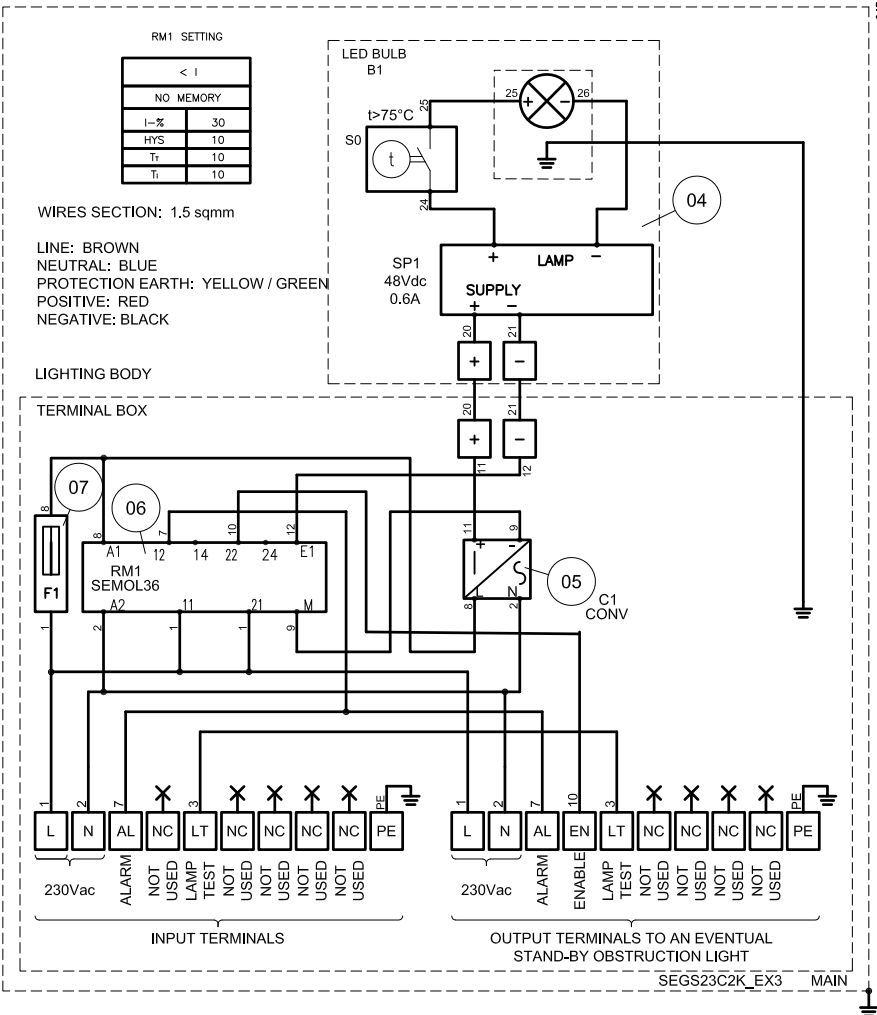


TAG NO.	ID.	DEVICE	Q.TY	RATING	MANUFACTURER
01		LIGHTING FIXTURE EVAC 501	1	II 2G Ex d IIC T4 Gb IP66	FEAM
02		M20 BARRIER CABLE GLAND SERIES PAPR	1 / 2	II 2G Ex d IIC IP66	FEAM
03		3/4"NPT (male) / M20 (female) ADAPTER	1 / 2	II 2G Ex d IIC IP66	FENEX
04	B1	RED LED STEADY BULB mod. SPL048C2K_EX_15	1	2000 cd	CLAMPACO SISTEMI
05	C1	AC/DC CONVERTER 230Vac/48Vdc	1	50W	TDK - LAMBDA
06	RM1	AMPEROMETRIC RELAY SEMOL36	1	0.15 + 1.5A	CLAMPACO SISTEMI
07	F1	5x20mm FUSE	1	3.15A	ITALWEBER
08		EARTH TERMINAL	2	≤ 6 mm <sup>2</sup>	CABUR
09		2 LEVEL ELECTRIC TERMINAL	9	≤ 4 mm <sup>2</sup>	CABUR
10		2 LEVEL ELECTRIC TERMINAL	1	≤ 2.5 mm <sup>2</sup>	CABUR

**ARMATURA ILLUMINANTE** Tipo EVAC 501 FORI Holes Matr. N° Serial N°  
 Lighting fixture Lamp Type 60 W 240 V 50 Hz  
 II 2G Ex d IIC T4 Gb IP66 Db I 20 Ex tb IIC T135°C IP66 Db I 20 Ex tb IIC T135°C Db IP66  
 INERIS 01ATEX0054X IECEx INE 13.0075X Tamb -20°C/+60°C  
 ATTENZIONE: NON APRIRE SOTTO TENSIONE / WARNING: DO NOT OPEN WHILE ENERGIZED SPC

ELECTRIC SCHEME



ITEM	SEGS23C2K_EX3
Voltage	230 Vac ± 10%
Average Power consumption	40 W
Color	RED
Light intensity	2000 cd ICAO type B
Protection grade	IP 66
Weight	15 Kg

DIMENSIONS ARE IN MILLIMETERS

**CUSTOMER ALIMENTAZIONE** Supply Box PRC Matr. N° Serial N°  
 ALIMENTATORE A 10 W 240 V 50 Hz  
 Tamb -20+60 °C Tcoo 100 °C Tcoob 100 °C  
 II 2G Ex d IIC T4 Gb IP66 I 20 Ex tb IIC T135°C Db IP66  
 INERIS 08ATEX0018X IECEx INE 13.0060X  
 ATTENZIONE: NON APRIRE SOTTO TENSIONE - NON APRIRE IN PRESENZA DI ATMOSFERE ESPLOSIVE  
 WARNING: DO NOT OPEN WHILE ENERGIZED - DO NOT OPEN IF AN EXPLOSIVE ATMOSPHERE MAY BE PRESENT

EVAC 501 OBSTRUCTION LIGHT	
EXPLOSION PROOF TYPE:	II 2GD Ex d
DEGREE OF PROTECTION:	IIC T4 Gb IP66
ATEX CERTIFICATE:	INERIS 01 ATEX 0054X INERIS 08 ATEX 0018X
IECEx CERTIFICATE:	INE 13.0075X INE 13.0060X
MATERIAL:	ALUMINIUM ALLOY
PAINTING:	EPOXY COATING
COLOUR:	RAL 9006
T AMB:	-20°C +60°C

NOTES:  
 MOUNTING HARDWARE:  
 (3x) Stainless steel Hexagon head screws  
 M10x50 + nuts + washers

**Fernando Carrasco** s.a.  
 BARCELONA (SPAIN)  
 CATALOGO CS 05/10

18/01/2017	-	JOS	PNP	FCP
data - date	descrizione - description	drawn	checked	approved
Committente - customer		<b>TAIMWESER</b>		foglio-sheet 1-1
Località - Site:		Site Code: /	scala - scale	-
Progetto - Project:		comm-project id		rev 3
<b>SEGS23C2K_EX3</b>				
<b>MAIN STEADY OBSTRUCTION LIGHT</b>				
<b>MEDIUM INTENSITY ICAO TYPE "C" 2000cd</b>				
				disegno N.ro - drawing NO. SEGS23C2K_EX3